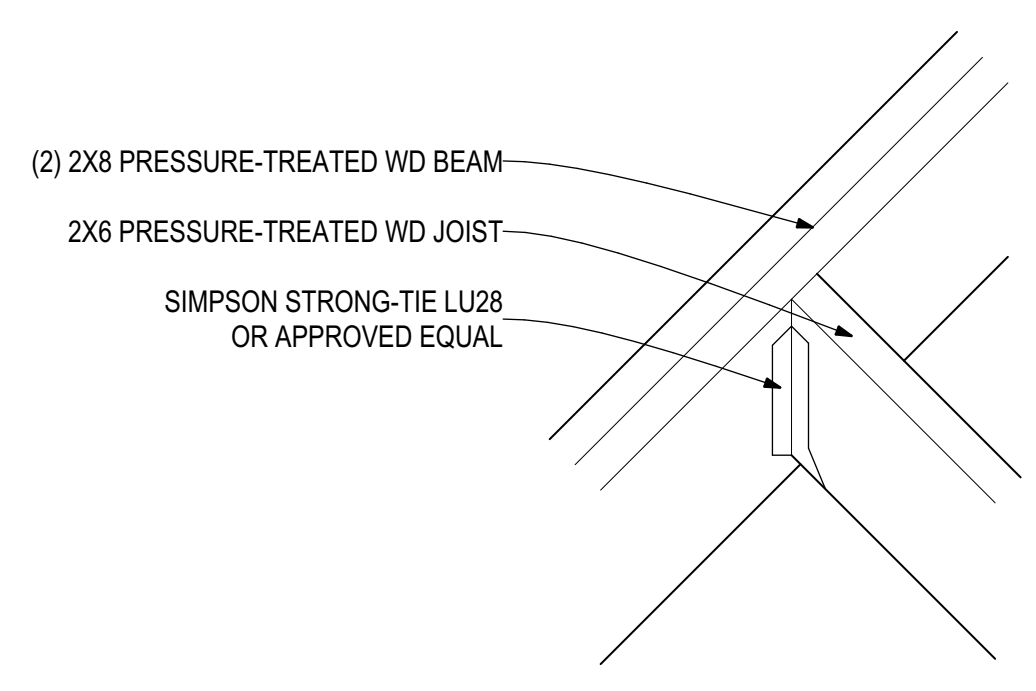
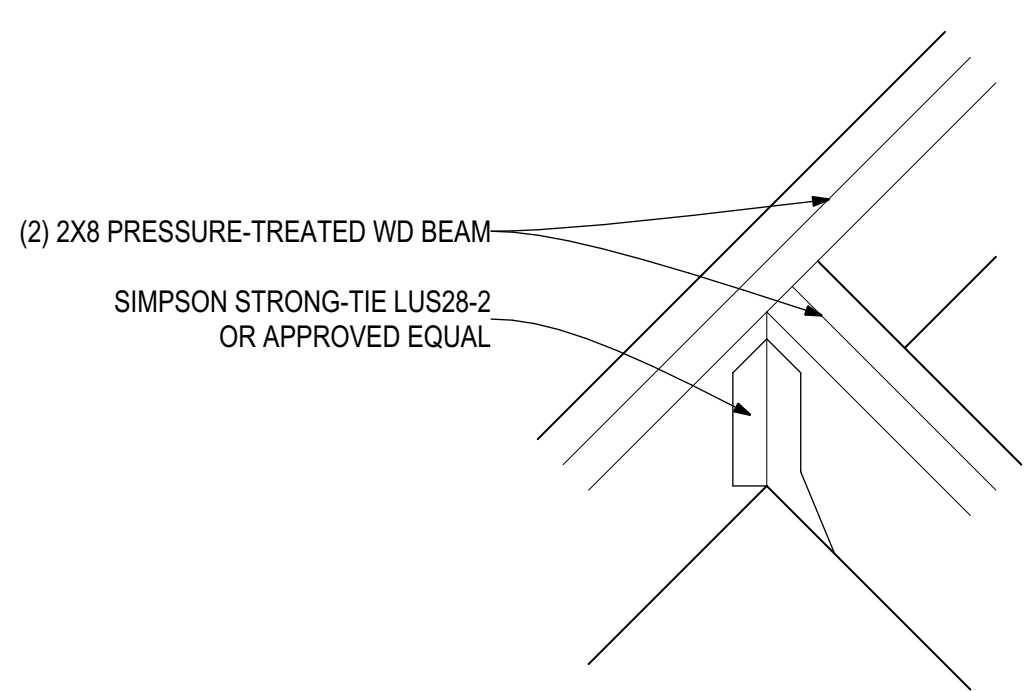


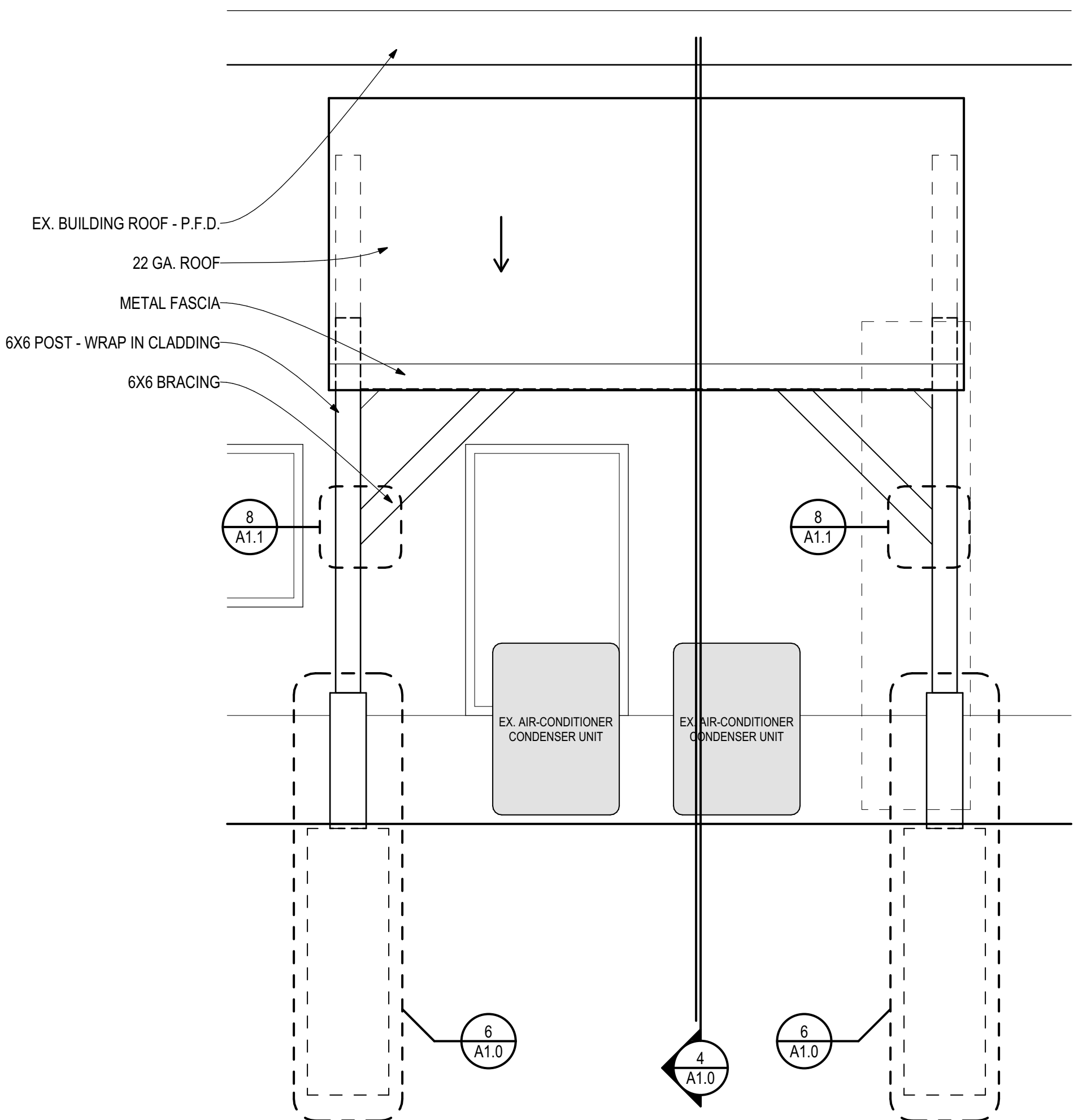
**X**  
**A1.0** PROJECT LOCATION MAP  
NO SCALE FOR REFERENCE ONLY



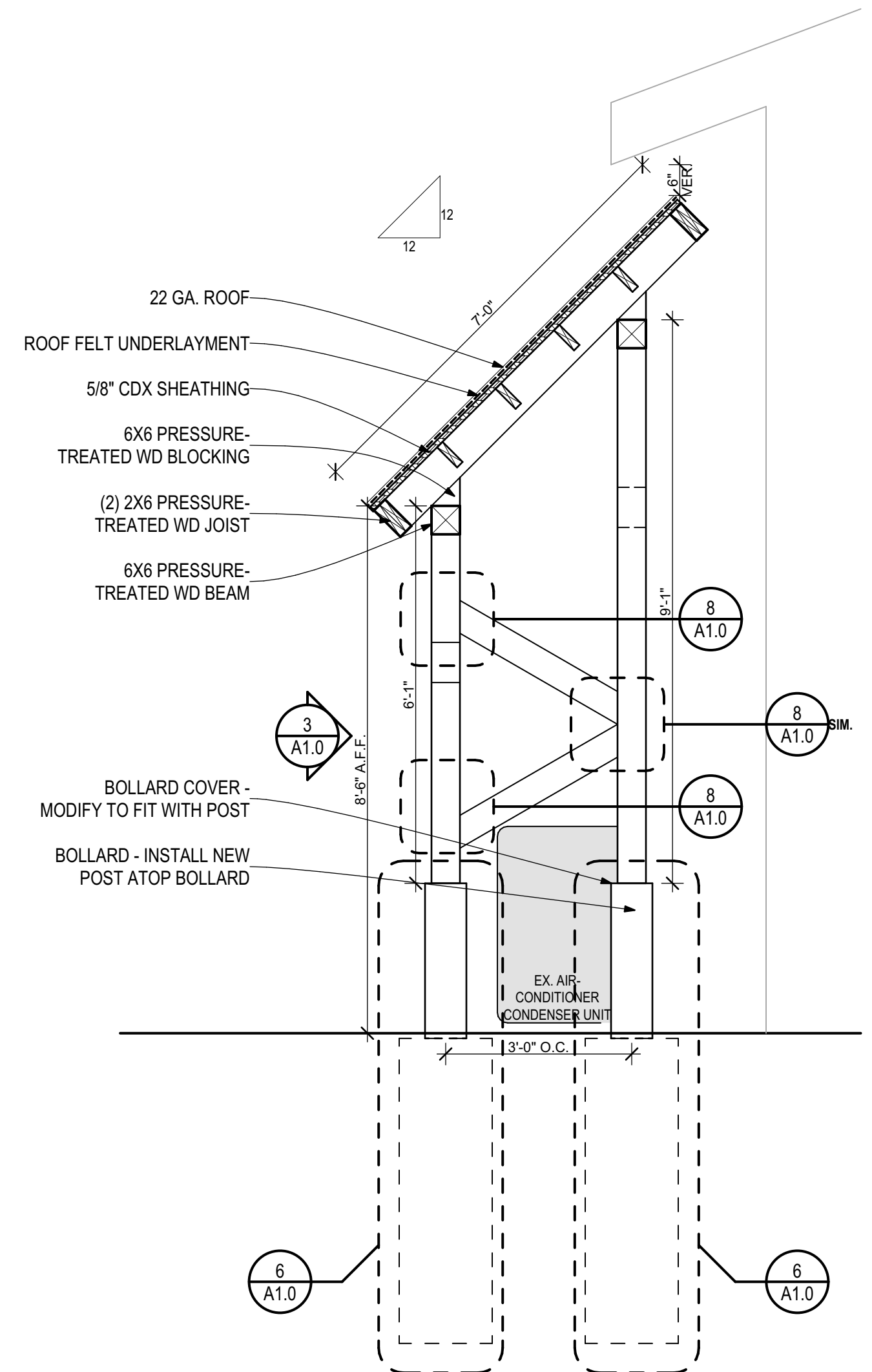
**7**  
**A1.0** HANGER CONNECTIONS  
NO SCALE FOR REFERENCE ONLY



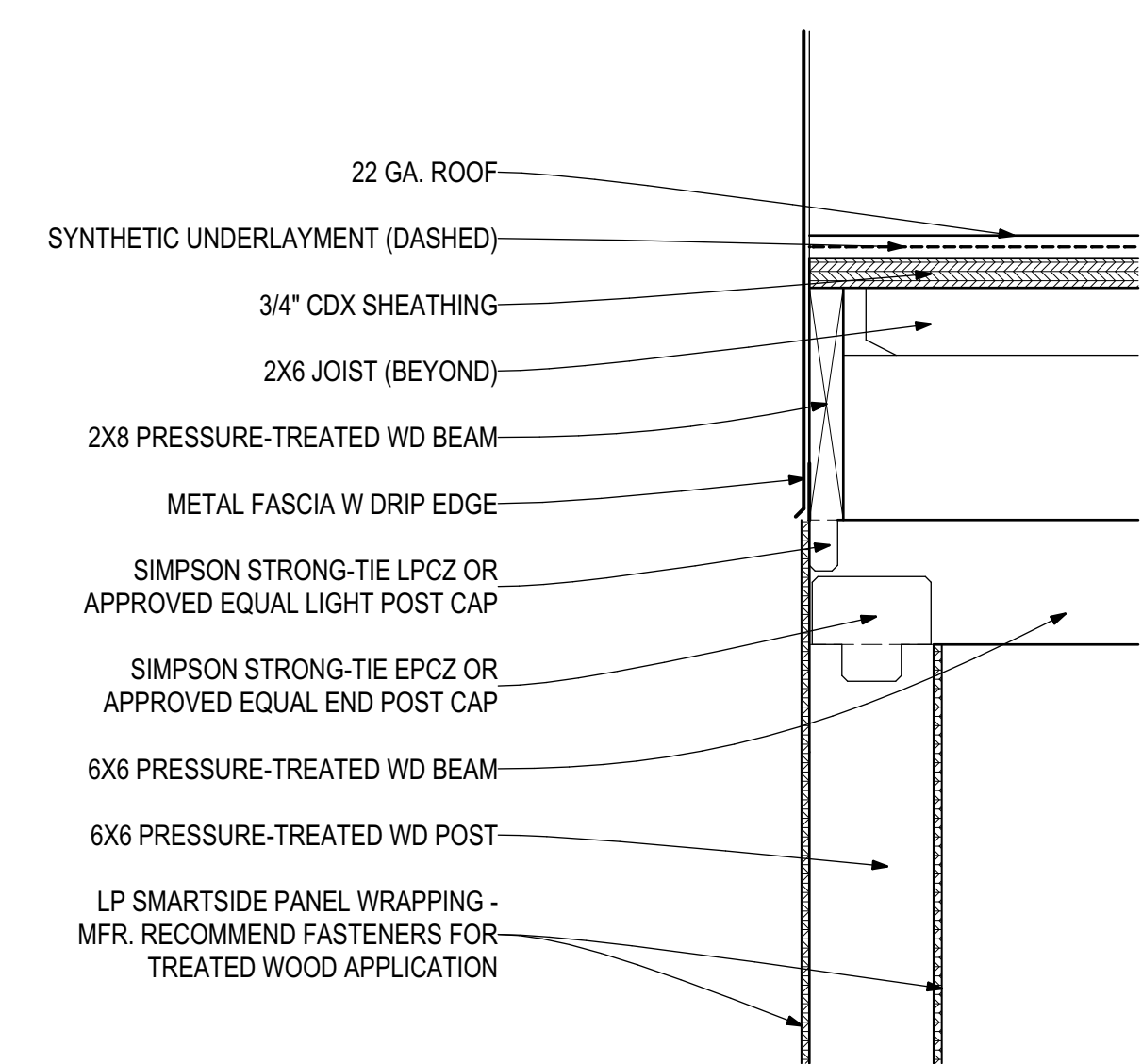
**8**  
**A1.0** BRACING CONNECTIONS  
NO SCALE FOR REFERENCE ONLY



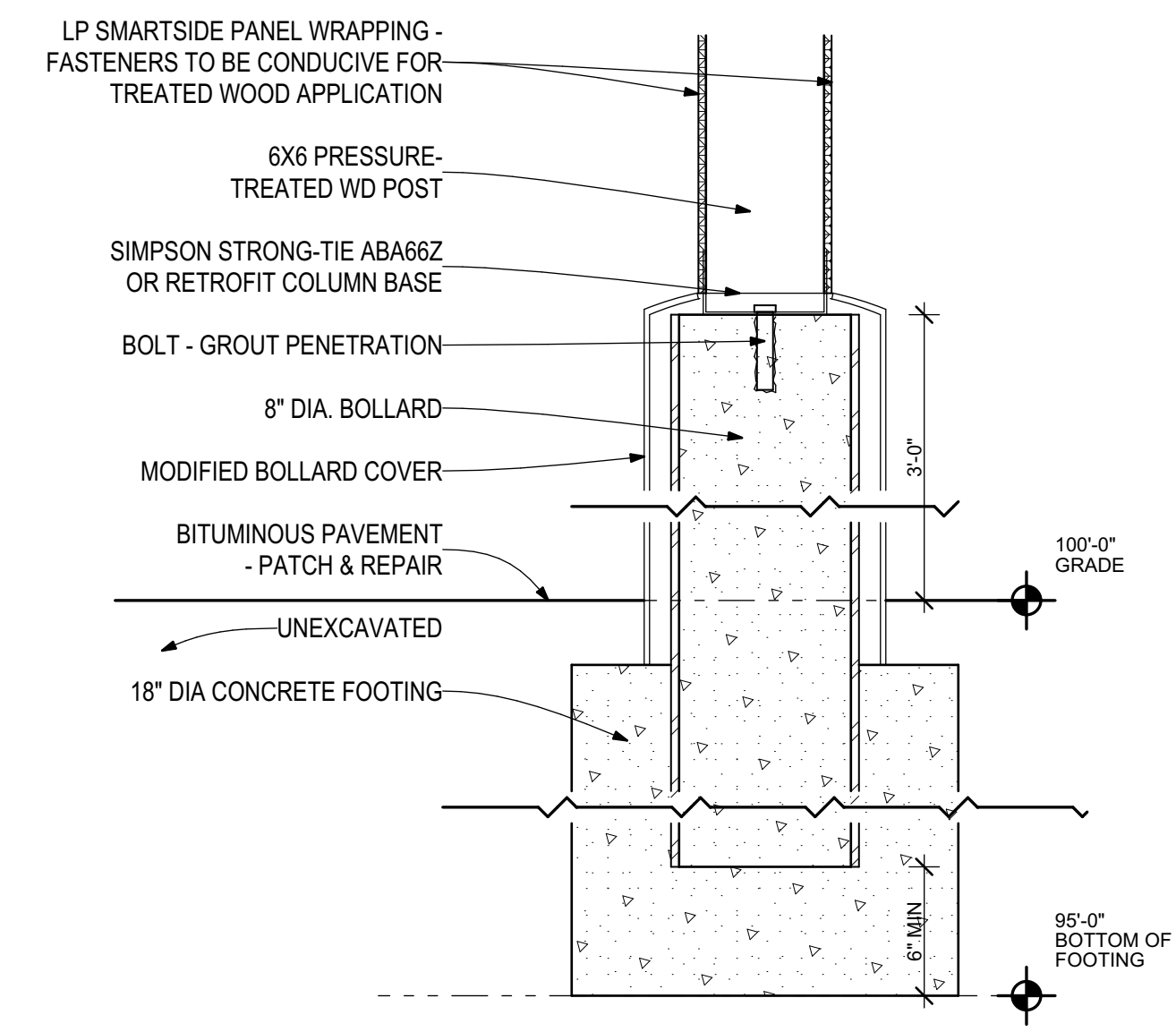
**3**  
**A1.0** ELEVATION  
1/2" = 1'-0"



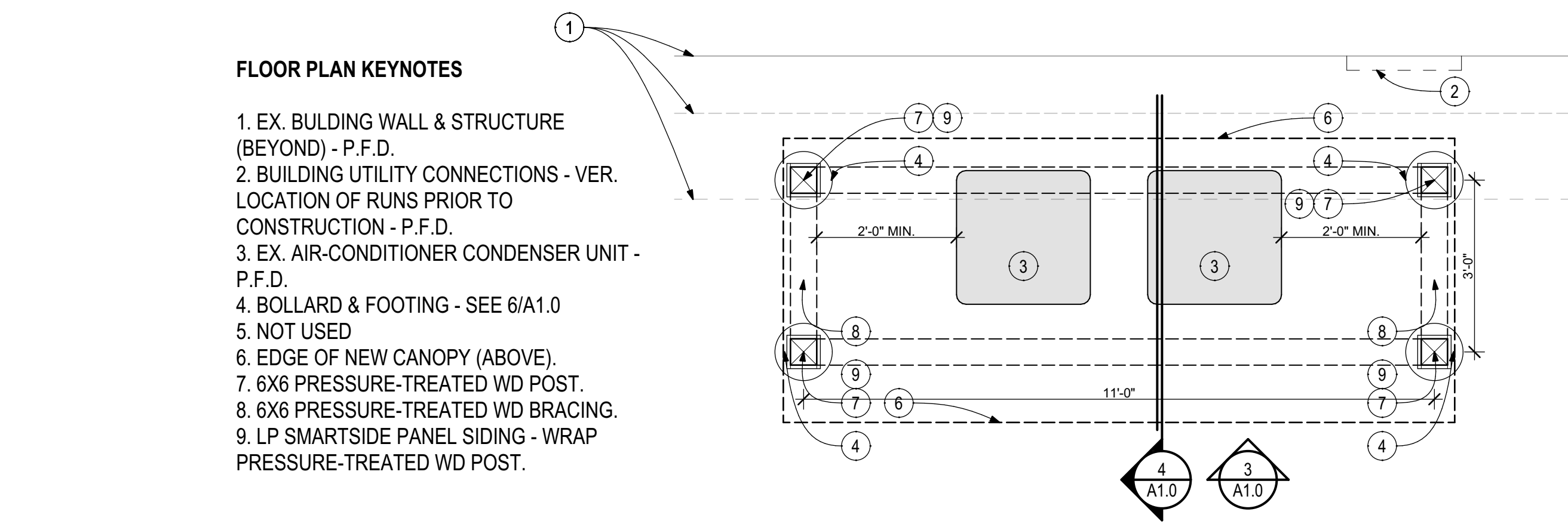
**4**  
**A1.0** SECTION  
1/2" = 1'-0"



**5**  
**A1.0** POST & BEAM CONNECTIONS  
1 1/2" = 1'-0"



**6**  
**A1.0** POST & BOLLARD CONNECTION  
1 1/2" = 1'-0"

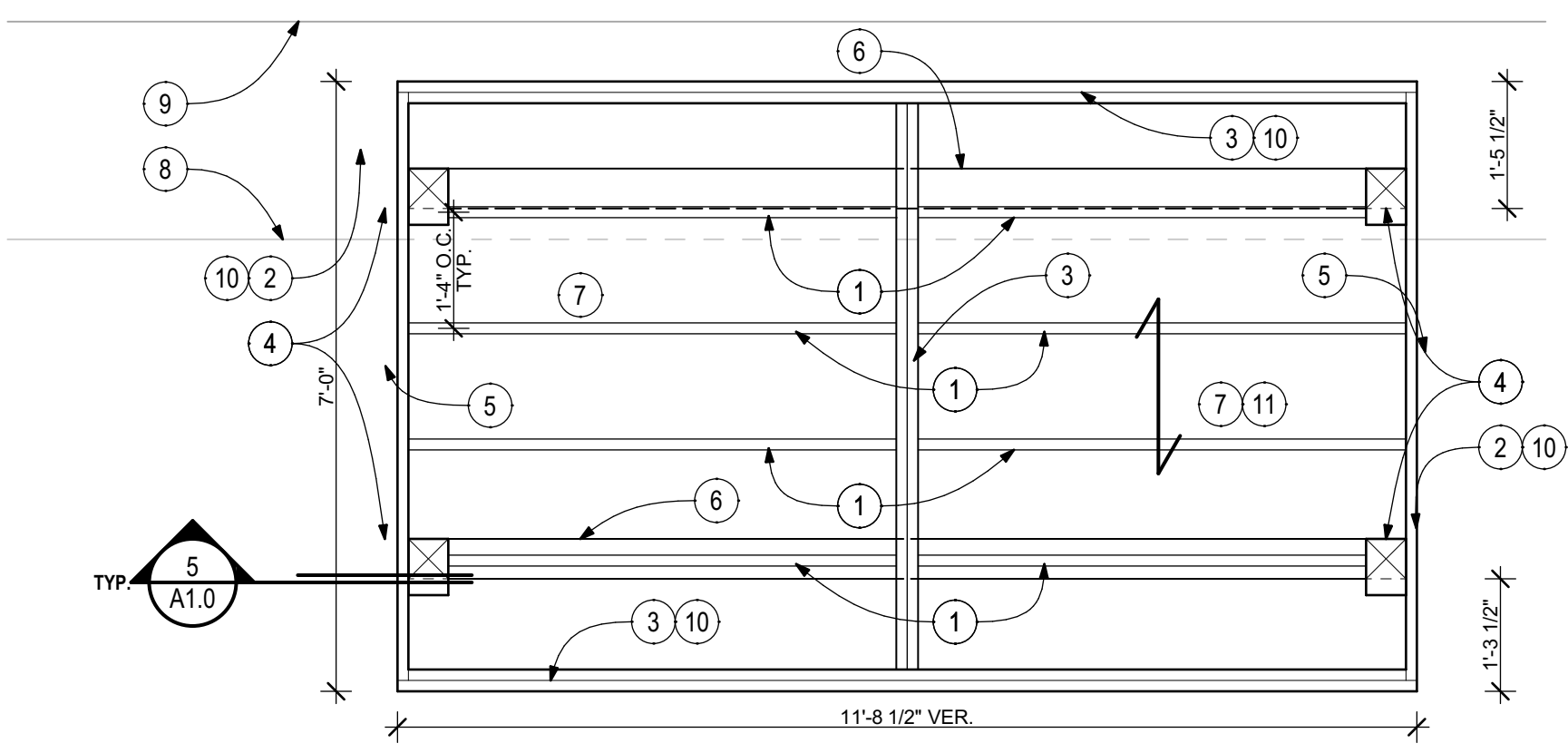


**FLOOR PLAN KEYNOTES**

1. EX. BUILDING WALL & STRUCTURE (BEYOND) - P.F.D.
2. BUILDING UTILITY CONNECTIONS - VER. LOCATION OF RUNS PRIOR TO CONSTRUCTION - P.F.D.
3. EX. AIR-CONDITIONER CONDENSER UNIT - P.F.D.
4. BOLLARD & FOOTING - SEE 6/A1.0
5. NOT USED
6. EDGE OF NEW CANOPY (ABOVE).
7. 6X6 PRESSURE-TREATED WD POST.
8. 6X6 PRESSURE-TREATED WD BRACING.
9. LP SMARTSIDE PANEL SIDING - WRAP PRESSURE-TREATED WD POST.

**NOTE:** ROOFING, FASCIA, & LP SIDING COLORS TO CLOSEST APPROVED MATCH TO EXISTING METAL ROOF/SIDING. PROVIDE SAMPLE TO OWNER/ARCHITECT FOR APPROVAL.

**1**  
**A1.0** FLOOR PLAN  
1/2" = 1'-0"



**REFLECTED CEILING PLAN KEYNOTES**

1. 2X6 PRESSURE-TREATED WD JOIST.
2. 2X8 PRESSURE-TREATED RIM JOIST.
3. (2)2X8 PRESSURE-TREATED WD BEAM.
4. 6X6 PRESSURE-TREATED WD POST.
5. 6X6 PRESSURE-TREATED WD BRACING.
6. 6X6 PRESSURE-TREATED WD BEAM.
7. 22 GA. METAL ROOF TO MATCH EX. BUILDING METAL ROOF.
8. LINE OF EX. ROOF - P.F.D.
9. EX. BUILDING - P.F.D.
10. CLAD EXPOSED WD MEMBER IN METAL FASCIA WITH DRIP EDGE.
11. 3/4" CDX SHEATHING WITH SYNTHETIC UNDERLAYMENT.

**2**  
**A1.0** REFLECTED CEILING PLAN  
1/2" = 1'-0"

**CERTIFICATION**

I HEREBY CERTIFY THAT THIS PLAN, SPECIFICATION, OR REPORT WAS PREPARED BY ME OR UNDER MY DIRECT SUPERVISION AND THAT I AM A DULY REGISTERED ARCHITECT UNDER THE LAWS OF THE STATE OF MINNESOTA.

*Amanda Maldonado*

DATE: 05 MAY 2026 REG. NO. 58977  
PRINTED NAME: AMANDA MALDONADO

COMMISSION NO.: 26-02  
DRAWN BY: CAB  
CHECKED BY: AM  
DATE: 05 MAY 2026  
BID ISSUE DATE: ## MONTH 20XX  
REVISION DATES: XX/XX/20XX

**PROJECT TITLE**

**MLBO WAREHOUSE CONDENSER CANOPIES**  
LOCATION 1: 20898 360TH ST  
MCGREGOR, MN 55760  
LOCATION 2: 45700 GRACE LAKE RD  
SANDSTONE, MN 55076

**OWNER**

**MILLE LACS BAND OF OJIBWE**

43408 OODENA DRIVE  
ONAMIA, MN 56359

**SHEET TITLE**

**FLOOR PLAN, REFLECTED CEILING PLAN, DETAILS**

**SHEET NO.**

SHEET 1 OF 2  
PLOT DATE: 5/6/2026